

# **BOOK 2**

## **Outdoor** **Target Archery Rules**



## CHAPTER 7

## OUTDOOR TARGET ARCHERY ROUNDS

**7.1 RANGE LAYOUT**

(Details concerning the organization of FITA championships will be found in the FITA Organizer's Manuals and in Appendix 9)

- 7.1.1 The range shall be squared off and each distance accurately measured from a point vertically beneath the gold of each target to the shooting line. Tolerance on field dimensions at 90/70/60 meters shall be  $\pm 30\text{cm}$ ; at 50/30 meters  $\pm 15\text{cm}$ .
- 7.1.2 A waiting line shall be indicated at least five meters behind the shooting line.
- 7.1.3 Each buttress shall be numbered and set up at an angle of *approximately 10-15 degrees* from the vertical.
- 7.1.4 The center of the gold shall be 130cm above the ground as measured from an estimated even ground level. When using multiple faces (3 or 4) the center(s) of the upper face(s) shall be 160cm above ground level, the centers of the faces shall be about 42cm apart. For FITA Championships the triangular symmetrical arrangement of the three centers is mandatory. A tolerance of measurement shall not exceed  $\pm 5\text{cm}$ . The height of the centers of the gold in a line of buttresses on the range should at all times look straight.
- 7.1.5 All competitors shall be accommodated on one range. The women's portion of the range shall be separated from the men's by a clear lane at least five meters wide. For the Olympic Round a central clear lane need not be wider than 10 meters.
- 7.1.6 Provision shall be made, if possible, for sufficient target buttresses to allow for not more than three competitors per target. If the range does not permit this, four competitors shall be the maximum per target.
- 7.1.7 A point on the shooting line directly opposite each buttress shall be marked and numbered corresponding to that buttress. If two or more competitors are shooting at the same buttress at the same time the shooting positions shall be marked on the shooting line and a minimum space of 80cm per competitor shall be guaranteed. *Given the participation of wheelchair competitors their need for extra space will have to be considered. (see Appendix 10: Disabled Competitors)*
- 7.1.8 Lines at right angles to the shooting line, and extending from the shooting line to the target line, making lanes to contain one, two or three buttresses shall be laid down.
- 7.1.9 A 3 meter line shall be located in front of the shooting line. (see 7.4.4.1)
- 7.1.10 Where the public has the right of access, suitable barriers shall be erected around the range to keep spectators back. Such barriers shall be at least 20 meters away from the ends of a target line set at 90 meters and may, if desired, reduce in a straight line to a minimum of 10 meters away from the ends of the Shooting Line. This would maintain a margin of approximately 13 meters from the Target Line when the targets are moved forward to 30 meters. Such barriers shall be at least 10 meters behind the Waiting Line and as far beyond a Target Line set at 90 meters as

## **BOOK 2**

### **FITA CONSTITUTION AND RULES**

---

to prevent members of the public from passing behind the targets within 50 meters of them. This will create a safety zone increasing to 110 meters when targets have been moved forward to shoot 30 meters. The distance of 50 meters may be reduced when an adequate backstop, i.e. efficient netting, bank or similar device, is erected (not a hedge or penetrable fence). Such a backstop shall be high enough to stop arrows which have just missed the top of the buttress at 90 meters. Consideration should be given to any distractions caused to the competitors by movement of people, etc. behind the targets.

- 7.1.11 In the Olympic Round, men and women will shoot at the same targets at different times of the day. In the Elimination Rounds, targets are to be arranged in closely set pairs. In the Finals Round, there may be two (2) pairs of targets, one on each side of the clear lane.
- 7.1.12 For the Olympic Round a practice field shall be made available alongside the Competition Field, where competitors still in the competition may practice during the Elimination and Finals Round.
- 7.1.13 For the Olympic Round Team events a clearly visible line shall be marked one (1) meter behind the Shooting Line. This line must be at least 3cm wide.
- 7.1.14 *For the Olympic Round Team event there shall be competitors' and coaches' boxes behind the 1 meter line as shown in the drawings of Appendix 9.4*

## **7.2 VENUE EQUIPMENT (Outdoor Target Archery Rounds)**

### **7.2.1 Target Faces**

7.2.1.1 There are three FITA Outdoor Target Faces:

- 122cm in diameter;
- 80cm in diameter;
- and the 80cm multiple face.

Only those Outdoor Target Faces produced by a manufacturer licensed by FITA shall be used at FITA competitions.

7.2.1.2 Description

The 122cm and 80cm faces are divided into five concentric color zones arranged from the center outwards as follows: Gold (Yellow), Red, Light Blue, Black and White (there are no dividing lines between Light Blue and Black; Black and White). Each color is in turn divided by a thin line into two zones of equal width thus making ten scoring zones of equal width measured from the center of the Gold:

- 6.1cm on the 122cm target face;
- 4cm on the 80cm target face.

Such dividing lines shall be made entirely within the higher scoring zones in each case. Any line marking the outermost edge of the White shall be made entirely within the scoring zone. The width of the thin dividing line as well as the outermost line shall not exceed 2mm on either the 122cm or the 80cm target faces. The center of the target face is termed the "pinhole" and shall be indicated by a small

“x” (cross) the lines of which shall not exceed 1mm in width or 4mm in length. An inner ten ring (marked X on the scorecards) 6.1cm in diameter for the 122cm target face and 4cm in diameter for the 80cm target face is required to determine ties in ranking.

In addition multiple faces (2, 3 or 4) may be used at the 30m distance (the triangular arrangement is mandatory for FITA Championships). The set of two faces shall have the golds about 42cm apart. The set of three faces shall be symmetrically arranged in a triangular pattern. The set of four faces shall be arranged in a rectangular pattern with the four centers being about 42cm apart vertically and horizontally. They have the same dimensions as the FITA 80cm faces, but with the 5 to 1 scoring zones removed. The lowest scoring zone is therefore Light Blue 6.

#### 7.2.1.3 Scoring Values and Color Specifications

| Scoring Values | Colors     | Pantone Scale |
|----------------|------------|---------------|
| 10             | Yellow     | 107U          |
| 9              | Yellow     | 107U          |
| 8              | Red        | 032U          |
| 7              | Red        | 032U          |
| 6              | Light Blue | 306U          |
| 5              | Light Blue | 306U          |
| 4              | Black      | Process Black |
| 3              | Black      | Process Black |
| 2              | White      | -             |
| 1              | White      | -             |

## BOOK 2

### FITA CONSTITUTION AND RULES

---

#### 7.2.1.4 Tolerance of Measurements

The permissible variations in dimensions of the target face in each of the 10 zones shall be measured by the diameters of each separate circle enclosing each of the 10 zones. The tolerance of each such diameter shall not exceed  $\pm 1$ mm for the scoring zones 10, 9 and 8 and  $\pm 3$ mm for the other scoring zones measured through the center.

| Zone     | Diameter of faces and scoring zones in cm |    |    |    | Tolerance in mm +/- |
|----------|---|----|----|----|---------------------|
|          | 122                                       | 80 | 60 | 40 |                     |
| Inner 10 | 6.1                                       | 4  | 3  | 2  | 1                   |
| 10       | 12.2                                      | 8  | 6  | 4  | 1                   |
| 9        | 24.4                                      | 16 | 12 | 8  | 1                   |
| 8        | 36.6                                      | 24 | 18 | 12 | 1                   |
| 7        | 48.8                                      | 32 | 24 | 16 | 3                   |
| 6        | 61  | 40 | 30 | 20 | 3                   |
| 5        | 73.2                                      | 48 | 36 | 24 | 3                   |
| 4        | 85.4                                      | 56 | 42 | 28 | 3                   |
| 3        | 97.6                                      | 64 | 48 | 32 | 3                   |
| 2        | 109.8                                     | 72 | 54 | 36 | 3                   |
| 1        | 122                                       | 80 | 60 | 40 | 3                   |

#### 7.2.1.5 Size of Target Face at different Distances

For distances of 90, 70 and 60 meters, the Target face of 122cm shall be used. For distances of 50 and 30 meters, the Target Face of 80cm shall be used (except in the Standard Bow Round).

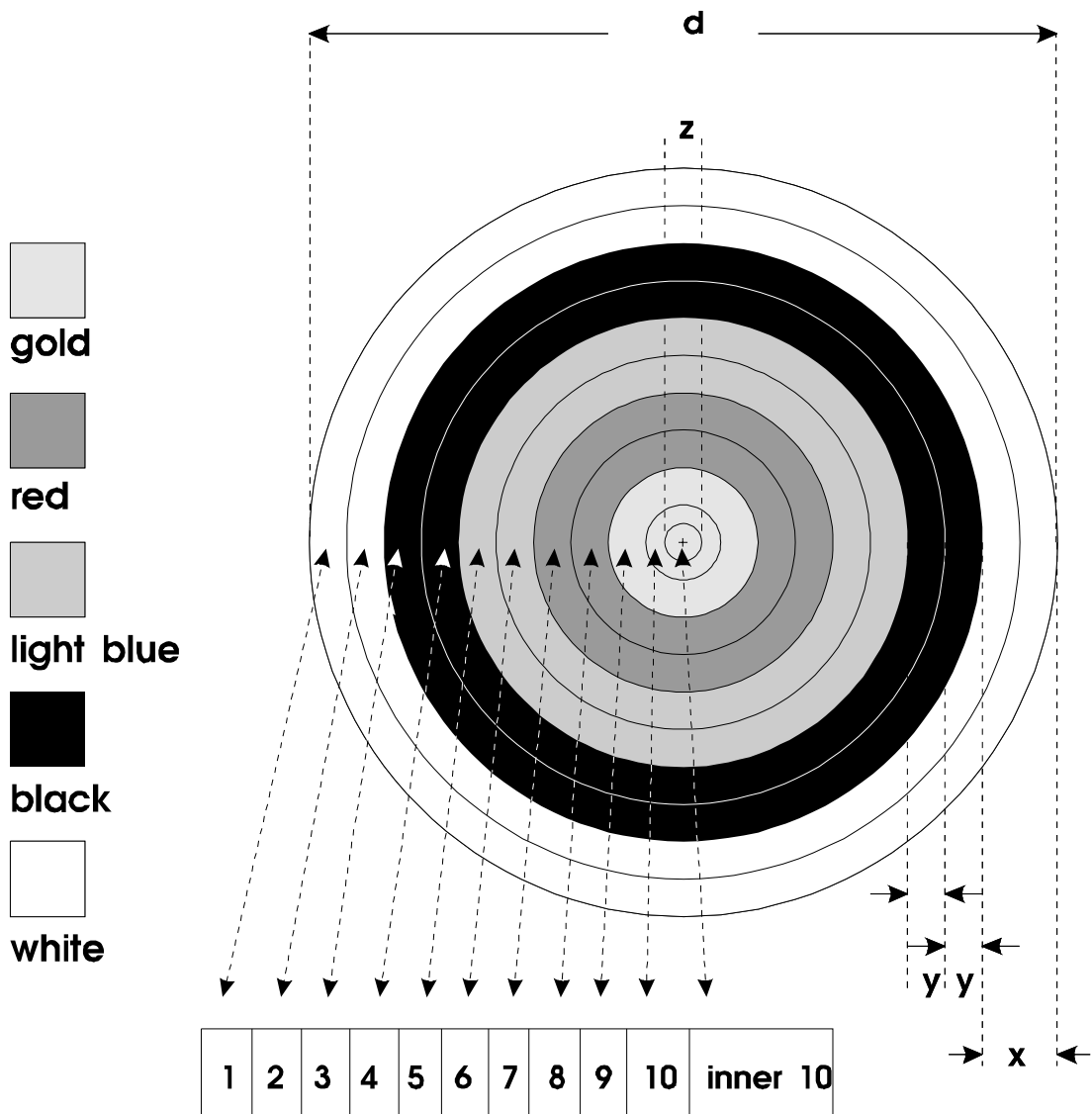
#### 7.2.1.6 Material of Target Faces

*Target faces may be made of paper or any other suitable material. All faces used for the same competition class shall be uniform in colour and of the same material.*

### 7.2.2 Buttresses

7.2.2.1 The size of the buttress front, whether round or square, must not be less than 124cm in any direction to ensure that any arrow hitting the buttress and just missing the outermost edge of the target remain in the buttress. Buttresses shall be pegged securely to the ground to prevent them from being blown over by the wind. Any portion of a buttress and of its support likely to damage an arrow shall be covered. Care is necessary, particularly when more than one target face is placed on the buttress, that arrows passing through the buttress are not damaged by the support

7.2.2.2 Buttresses shall have Target Numbers. The numbers shall be 30cm tall and shall be black figures on a yellow background, alternating with yellow figures on a black background (e.g. No. 1 Black on Yellow, No. 2 Yellow on Black, etc.). Target Numbers shall be affixed above or below the center of each target, so as to be clear of the Target face. Targets shall be numbered from the central lane outwards on both sides of the shooting range.



| d                | x          | y            | z                    |
|------------------|------------|--------------|----------------------|
| diameter of face | color zone | scoring zone | diameter of inner 10 |
| 122 cm           | 12.2 cm    | 6.1 cm       | 6.1 cm               |
| 80 cm            | 8 cm       | 4 cm         | 4 cm                 |
| 60 cm            | 6 cm       | 3 cm         | 3 cm                 |
| 40 cm            | 4 cm       | 2 cm         | 2 cm                 |

**FITA Face** according to 7.2.1.1 and 8.2.1.2  
 For the 80cm multiple face see Appendix 10.2

## BOOK 2

### FITA CONSTITUTION AND RULES

---

#### 7.2.3 Time Control Equipment

##### 7.2.3.1 Acoustic

The Director of Shooting (see Article 7.7.1) shall control the shooting and the starting and ending of each time limit with an audible device or a whistle.

##### 7.2.3.2 Visual

The Director of Shooting shall control each Time Limit by means of digital clocks, lights, flags, plates and/or any simple device in addition to the audible signal referred to above. In the event of any discrepancy between the Acoustic and the Visual Time Control Equipment, the Acoustic Time Control Equipment shall take precedence.

- Plates
- The Plates are not to be less than 120cm by 80cm in size. They must be securely mounted to resist any wind and must be easy to turn quickly to show either side. One side of the Plates shall be striped with 20-25cm wide stripes alternating in black and yellow. The stripes to be at an angle of about 45 degrees to the ground. The reverse side shall be all yellow.
- Lights
- The colors shall be Red, Yellow and Green in that order with the Red uppermost. The Lights must be synchronized and at no time shall two different colors be on at the same time. In FITA Championships, the Lights must be linked with the Acoustic Equipment so that the first sound of the Acoustic Equipment is simultaneous with the light turning red and the digital clock reaching zero.
- Digital Clocks
- When timing is controlled by the use of Digital Clocks the figures on the clock shall be a minimum of 20cm in height and must be able to be clearly read at a distance of 100m distance. They must be able to be immediately stopped and reset as may be required. The clock must function on a countdown principle. All other requirements, e.g. position, number, etc., shall be the same as required for lights.
- **Matchplay Indicators:**
- When shooting in alternating matchplay there shall be separate green/red lights, count-down clocks, or other useful visual signals to indicate whose turn it is to shoot.
- Emergency Equipment
- When the Time Limit is controlled by electrical equipment, plates, flags or other simple manual devices must be available in case of failure of electrical equipment. Lights and/or digital clocks and emergency equipment are mandatory for FITA Championships and Games Tournaments (Article 3.1; 3.2 and 4.9).

#### 7.2.4 Miscellaneous Equipment

The following equipment is mandatory at Championships and Games Tournaments and is recommended in relation to the importance of other tournaments:

##### 7.2.4.1 **Registration numbers** to be worn by each competitor.

##### 7.2.4.2 A device to indicate the **order of shooting**; e.g. A B C; C A B; B C A; etc. or AB/CD, CD/AB etc. if not all competitors shoot at the same time. The letters shall

- be large enough to be read by all competitors from their shooting positions. Two or more such devices may be needed.
- 7.2.4.3 One large **scoreboard** for progressive totals after each end, for at least the first eight women and first eight men and indicating the scores for the qualification cut.
- 7.2.4.4 The large scoreboard may be supplemented by means of displaying the **progressive scores** of all competitors after each end.
- 7.2.4.5 In the Olympic Round Elimination and Finals Round a **name plate** carrying the Competitor's back number in the individual events or the officially recognized three (3) letters denoting the Member Association in the team events shall be displayed at each target next to the scoring device, with letters or figures at least 25cm tall.
- 7.2.4.6 In the Olympic Round Elimination Round a **flip-score device** for three (3) or four (4) figures shall be displayed below each buttress; the figures (four for teams) shall be at least 25cm tall. This will render the updating of the scoreboard optional.
- 7.2.4.7 In the Olympic Round Finals Round, one **remotely-operated scoreboard** at each target, one for each competitor (or team), with spaces for the scores of three (3) individual arrows and a 3-figure running total score for each match. There must also be provision for the competitors name and country, or country of the team.
- 7.2.4.8 **Blinds** for the Finals Rounds will be placed near the targets. It shall be used by Judges, Scorers, and Competitors' agents.
- 7.2.4.9 **Flags**, or some other suitable device, whereby scorers at target and competitors at the shooting line can call for a Judge.
- 7.2.4.10 **Flags**, of any light material and color easily visible (such as yellow) to serve as wind indicators, shall be placed above the center of each target, 40cm above the Target Buttress or the Target Number, whichever is higher. Such flags shall not be more than 30cm and not less than 25cm in any dimension.
- 7.2.4.11 **Raised platform** with seating facilities for the Director of Shooting.
- 7.2.4.12 **Loudspeaker equipment.** Recommended at large tournaments (to make communication more effective between officials) is such equipment as Field Telephones, "walkie-talkies" and the like.
- 7.2.4.13 Sufficient **chairs or benches** behind the waiting line for all competitors, Team Captains, Judges and officials.
- 7.2.4.14 A **Tournament Delay Signal** consisting of a red flashing light may be used on the shooting field to be activated by the Director of Shooting in case of equipment failure, rebounding arrow, problem at target, etc. Such a device may be incorporated in the red time control lights or be a separate fitting placed near them.
- 7.2.4.15 A **scoring board** or some or some such device with competitor's name and/ or target number (1A, 1B, 1C or simply A, B, C and adding D if there are four competitors on the target, etc.) may replace the name plate and the flipscore device for displaying progressive total scores after each end. When any such device is being used it shall be placed below each buttress on the ground; it must be pegged or fixed securely to prevent movement by wind. It shall be changed by the scorer appointed, aided by the competitors on that target after the arrows have been scored and drawn, before leaving the target.
- 7.2.5 Olympic Games Miscellaneous Equipment

## BOOK 2

### FITA CONSTITUTION AND RULES

---

- 7.2.5.1 A small diameter television camera may be installed in the center of the target
- 7.2.6 An automatic scoring systems may only be used in the Finals Rounds.

## 7.3 COMPETITORS' EQUIPMENT

This Article lays down the type of equipment competitors are permitted to use when shooting for FITA purposes.

If it becomes necessary for a competitor to use equipment which has not been inspected by the Judges, the onus is on the competitor to show this equipment to the Judges before using it.

Any competitor found to be using equipment contravening FITA Rules may have his scores disqualified.

Described below are the general regulations that apply to all disciplines followed by the special regulations that only apply to certain disciplines.

*See Appendix 10 Book 1: Competitors with Disabilities*

- 7.3.1 For the **Recurve Division**, the following items are permitted:
  - 7.3.1.1 A **bow** of any type provided it subscribes to the accepted principle and meaning of the word Bow as used in Target Archery, e.g., an instrument consisting of a handle (grip), riser (*no shoot-through type*) and two flexible limbs each ending in a tip with a string nock. The bow is braced for use by a single string attached directly between the two string nocks only, and in operation is held in one hand by its handle (grip) while the fingers of the other hand draw, hold back and release the string. Multi-colored bow risers and trademarks located on the inside of the upper limb are permitted.
  - 7.3.1.2 A **bowstring** of any number of strands *that may be of different colors and* of the material chosen for the purpose with a center serving to accommodate the drawing fingers, a nocking point to which may be added serving(s) to fit the arrow nock as necessary, and to locate this point one or two nock locators may be positioned, and at each end of the bowstring a loop to be placed in the string nocks of the bow when braced. In addition one attachment is permitted on the string to serve as a lip or nose mark. The serving on the string must not end within the archer's vision at full draw. The bowstring must in no way offer aid in aiming through a peep-hole, marking, or any other means.
  - 7.3.1.3 An **arrowrest**, which can be adjustable, any moveable Pressure Button, Pressure Point or Arrowplate may all be used on the bow provided they are not electric or electronic and do not offer any additional aid in aiming. The pressure point shall be placed no further than 4cm back (inside) from the throat of the handle (pivot point) of the bow.
  - 7.3.1.4 A **Draw check device**, audible and/or visual, other than electric or electronic, may be used.
  - 7.3.1.5 A **bowsight** for aiming is permitted, but at no time may more than one such device be used.

A bowsight attached to the bow for the purpose of aiming which may allow for windage adjustment as well as elevation setting is subject to the following provisions:

- It shall not incorporate a prism or lens or any other magnifying device, leveling or electric or electronic devices nor shall it provide for more than one sighting point. *The sight point may be a fiber optic sight pin.*
- A bowsight extension is permitted.
- A plate or tape with distance marking may be mounted on the bow as a guide for marking, but must not in any way offer any additional aid.

7.3.1.6 **Stabilizers** and **torque flight compensators** on the bow are permitted provided they do not:

- Serve as a string guide;
- Touch anything but the bow;
- Represent any obstacle to other competitors as far as place on the shooting line is concerned.

7.3.1.7 **Arrows** of any type may be used provided they subscribe to the accepted principle and meaning of the word Arrow as used in Target Archery, and that such arrows do not cause undue damage to target faces or buttresses. The maximum diameter of arrows shall not exceed 11mm (*9.3mm after April 1, 2001*). An arrow consists of a shaft with head (point), nock, fletching and, if desired, cresting. The arrows of each competitor shall be marked on the shaft with the competitor's name or initials, and all arrows used at any one target (i.e., numbered target) shall carry the same pattern and color(s) of fletching, nocks and cresting, if any.

7.3.1.8 **Finger protection** in the form of finger stalls or tips, gloves, or shooting tab or tape (plaster) to draw, hold back and release the string is permitted, provided they do not incorporate any device to hold, draw and release the string. A separator between the fingers to prevent pinching the arrow may be used. On the bow hand an ordinary glove, mitten or similar item may be worn but shall not be attached to the grip. An anchor plate or similar device attached to the finger protection (tab) for the purpose of anchoring is permitted.

7.3.1.9 **Field glasses**, telescopes and other visual aids may be used for spotting arrows provided they do not represent any obstacle to other competitors as far as place on the shooting line is concerned. *In the Olympic Round Team event the coaches in the coaches box may use hand-held binoculars.* Prescription spectacles, shooting spectacles and sunglasses may be used. None must be fitted with microhole lenses, or similar devices, nor marked in any way which can assist in aiming. The glass of the non-sighting eye may be fully covered or taped, or an eye patch may be used.

7.3.1.10 **Accessories** are permitted such as bracers, dress shield, bowsling, belt or ground quiver, tassel, foot markers not protruding more than 1cm from the ground, *limb savers, tripods for scopes (may be left on the shooting line providing it does not create an obstacle for any other competitor), wind indicators (non-electric or electronic ) may be attached to the equipment used on the shooting line (i.e. light ribbons), electronic wind indicators behind the shooting line.*

7.3.2 The **FITA Standard Bow Equipment** is defined as follows:

## BOOK 2

### FITA CONSTITUTION AND RULES

---

- The requirements of Article 7.3.1 shall apply in their entirety with the following additional provisions and/or modifications:
- 7.3.2.1 The **bow** shall be of a simple design, either take-apart (with wooden or metal riser, *no shoot-through type*) or of one-piece construction. In both cases the limbs shall be of wooden and/or fiberglass construction.
  - 7.3.2.2 The **bowstring** material may not be of a higher specification than Dacron.
  - 7.3.2.3 The **arrowrest** shall be of a simple, flexible or rigid design and it shall be non-adjustable. A simple non-adjustable pressure point may be used but shall be placed no further back than 2cm from the throat (pivot point) of the handle.
  - 7.3.2.4 One simple **draw check indicator**, audible or visual, may be used. Such a device shall give one indication only of draw length.
  - 7.3.2.5 The **bowsight** shall be of simple construction and must not include any vertical rack and pinion or screw type of micro-adjustment. Lateral (windage) adjustment may be screw adjustable. The sight and any attachment to which it is fixed must comply with the Note below. *The sight point maybe a fiber optic sight pin.*
  - 7.3.2.6 Any **stabilization** used must comply with the Note below. Torque flight compensators (TFC's) may not be used.
  - 7.3.2.7 **Arrows** shall not exceed a specification of XX75 or equivalent, shall be of equivalent price range and performance. The nocks shall be of simple construction, either conical or insert fitting. The points shall be conical or ogival in shape. The vanes shall be of soft plastic material or of natural feathers.
  - 7.3.2.8 **Finger protection** shall not include any form of stiffening or locating platform or similar device or any device to help hold, draw and release the string.
  - 7.3.2.9 **Field glasses**, telescopes or any other visual aid must not be used for spotting arrows. Shooting spectacles must not be used.
  - 7.3.2.10 **Accessories** are permitted such as bracers, dress shield, bowsling, belt or ground quiver, tassel, and foot markers not protruding more than 1cm from the ground.  
**Note:** The unbraced bow complete with permitted accessories (stabilisation when extended in any direction) must be capable of passing through a hole or ring of 12.2cm inside diameter  $\pm$  0.5mm.
- 7.3.3 For the **Compound Division**, the following equipment is described. All types of additional devices, unless they are electric or electronic, are permitted:
- 7.3.3.1 A **Compound Bow**, *may be of a shoot-through type*, where the draw is mechanically varied by a system of pulleys and/or cams. The peak draw weight must not exceed 60 lbs. The bow is braced for use by bowstring(s) attached directly between the two string nocks of the bow limbs, or attached to the bow cables, as may be applicable to the particular design. Cable guards are permitted.
  - 7.3.3.2 A **bowstring** of any number of strands *that may be of different colors and* of the material chosen for the purpose, with a center serving to accommodate the drawing fingers or release aid. Nocking points may be fitted to which may be added serving(s) to fit the arrow nock as necessary. To locate these points one or two nock locators may be fitted. In addition attachments are permitted on the string to serve as a lip or nose mark, a peep-hole, a peep-hole 'hold-in-line' device, loop bowstring, etc.

- 7.3.3.3 An **arrowrest**, which can be adjustable, any moveable pressure button, pressure point or arrow plate, may all be used on the bow provided that they are not electric or electronic. The pressure point shall be placed no further than 6cm back (inside) from the throat of the handle (pivot point of the bow).
- 7.3.3.4 **Draw check indicators**, audible and/or visual, other than electric or electronic, may be used.
- 7.3.3.5 A **bowsight** attached to the bow, which may allow for windage adjustment as well as elevation setting which may also incorporate a leveling device, and/or magnifying lenses and/or prisms. A bowsight extension is permitted. Electric or electronic devices are not permitted. *The sight point may be a fiber optic sight pin.*
- 7.3.3.6 **Stabilizers** and **torque flight compensators**, provided that they do not:
- Serve as a string guide;
  - Touch anything but the bow;
  - Represent any obstacle to other archers as far as place on the shooting line is concerned.
- 7.3.3.7 **Arrows** of any type may be used provided they subscribe to the accepted principle and meaning of the word Arrow as used in Target Archery, and that such arrows do not cause undue damage to target faces or buttresses. The maximum diameter of arrows shall not exceed 11mm (*9.3mm after April 1, 2001*). An arrow consists of a shaft with head (point), nock, fletching and, if desired, cresting. The arrows of each competitor shall be marked on the shaft with the competitor's name or initials, and all arrows used at any one target (i.e., numbered target) shall carry the same pattern and color(s) of fletching, nocks and cresting, if any.
- 7.3.3.8 **Finger protection** in the form of finger stalls or tips, gloves, shooting tab or tape (plaster) to draw, hold back and release the string. A separator between the fingers to prevent pinching the arrow may be used. An anchor plate or similar device attached to the finger protection (tab) for the purpose of anchoring is permitted. A release aid that must not be attached in any way to the bow nor incorporate electric or electronic devices may be used. On the bow hand an ordinary glove, mitten or similar item may be worn but shall not be attached to the grip.
- 7.3.3.9 **Field glasses**, telescopes and other visual aids may be used provided they do not represent any obstacle to other competitors as far as place on the shooting line is concerned. *In the Olympic Round Team event the coaches in the coaches box may use hand-held binoculars.* Prescription spectacles, shooting spectacles and sunglasses may be used. None must be fitted with micro-hole lenses, or similar devices nor marked in any way which can assist in aiming. The glass of the non-sighting eye may be fully covered or taped, or an eye patch may be used.
- 7.3.3.10 **Accessories** are permitted such as bracers, dress shield, bowsling, belt or ground quiver, tassel, foot markers not protruding more than 1cm from the ground *limb savers, tripods for scopes (may be left on the shooting line providing it does not create an obstacle for any other competitor), wind indicators (non-electric or electronic) may be attached to the equipment used on the shooting line, electronic wind indicators behind the shooting line.*
- 7.3.4 For competitors of all divisions the following equipment is not permitted:
-

## BOOK 2

### FITA CONSTITUTION AND RULES

---

7.3.4.1 Any electronic communication device and headsets in front of the waiting line.

## 7.4 SHOOTING (Outdoor Target Archery Rounds)

7.4.1 Each competitor shall shoot his arrows in **ends** of three (long and short distances) or six arrows (long distances) each.

7.4.2 The maximum **time** permitted for a competitor to shoot an end of three arrows shall be two minutes. The maximum time permitted for a competitor to shoot an end of six arrows shall be four (4) minutes.

7.4.2.1 Competitors may not raise the **bow arm** until the signal is given starting the time limit.

7.4.2.2 An **arrow shot** before or after the allotted time or out of sequence will cause the archer to lose the highest scoring arrow of that end. An arrow shot before or after the allotted time or out of sequence that can be clearly identified by the Judge(s) (assigned to spot the arrows) will cause the archer to lose the value of that arrow. *A competitor shooting an arrow after the Dos has officially closed the practice session on the competition field, after the pulling of the practice arrows, or during the breaks between distances or rounds will lose the highest scoring arrow of the next scoring end.*

7.4.2.3 In the event of an **equipment failure** the archer shall raise the red flag on the shooting line. Extra time (*up to 15 minutes*) may be given to make the necessary repairs or changes to the damaged equipment. The archer shall make up the appropriate number of arrows at the earliest opportunity under the supervision of a Judge. *At no time shall any equipment failure delay the tournament by more than 15 minutes.*

7.4.2.4 In the Elimination and Finals Round of the Olympic Round, no extra time shall be allowed for equipment failure, but the competitor with equipment failure may leave the shooting line to repair or replace the same and return to shoot any remaining arrow(s) if the Time Limit permits. In the Team event other member(s) of the Team may shoot in the meantime.

7.4.2.5 Individual Archers or Teams with **byes** or forfeited matches will not be allowed to take part in the competition during their bye or forfeit. They may practice on the practice field or on a special practice area on the unused portion of the competition field. (see 3.17.4)

7.4.2.6 In the Olympic Round Team event, if any of the three competitors as a Team shoots an arrow before or after the relevant signals, to start or finish the time period, then the highest scoring arrow of that Team shall be forfeited.

7.4.3 Excepting for persons who are disabled, competitors shall shoot from a standing **position** and without support, with one foot on each side of the shooting line or with both feet on the shooting line.

7.4.4 Under **no** circumstances may an **arrow** be **reshot**.  
An arrow may be considered to have not been shot if:

- 7.4.4.1 *The arrow drops or is mis-shot and a part of the arrow shaft lies within the zone between the shooting line and the 3 meter line, provided the arrow has not rebounded;*
- 7.4.4.2 The target face or buttress blows over (in spite of having been fixed and pegged down to the satisfaction of the Judges). The Judges will take whatever measures they deem necessary and compensate adequate time for shooting the relevant number of arrows. If the buttress only slides down, it will be left to the Judges to decide what action to take, if any.
- 7.4.5 *While a competitor is on the shooting line he may receive **non-electronic coaching information** from the team management, provided that this does not disturb the other competitors.*
- 7.4.5.1 In the Olympic Round Team event the three competitors in the Team and the coach may assist each other verbally whether they are on the shooting line or not. During the shooting the coach may only coach from the coach's box.
- 7.4.6 Shooting shall be in **one direction** only.
- 7.4.7 The FITA Outdoor Target Round may be shot in one day or over two successive days. If a Round is shot over two days, the two longer distances shall be shot on the first day and the two shorter distances shall be shot on the second day or the other way round.
- 7.4.8 The Double FITA Round shall be shot over two or four consecutive days.
- 7.4.9 All **practice arrows** shall be shot under the control of the Director of Shooting and shall not be scored. (see article 3.17 Practice)
- 7.4.10 In the event of a program including a FITA Round as well as some other rounds to be wholly or partly shot during the same day, the FITA Round shall always be shot first.
- 7.4.11 The Olympic Round will be shot as set forth in Article 4.4.1.4. The details of this Round are described in separate FITA publications. These publications are the 'Description of the Outdoor Target Archery Championships' and the 'Description of FITA Olympic Round for use in Olympic Games Competitions'.

## **7.5 ORDER OF SHOOTING AND TIMING CONTROL (Outdoor Target Archery Rounds)**

- 7.5.1 **One, two, three or four competitors** may shoot on the same target **simultaneously**.
- 7.5.1.1 If three competitors shoot one at a time on a target, the rotation shall be ABC, CAB, BCA, ABC, etc.;
- 7.5.1.2 If four competitors shoot in pairs on a target, the rotation shall be AB-CD, CD-AB, AB-CD, etc.;
- 7.5.1.3 If three or four competitors shoot simultaneously, the position on the shooting line shall be by mutual agreement. If there is no agreement the first competitor allocated to a target will shoot on the left, the second competitor will shoot in the middle and the third competitor on the right, with four competitors the positions will be assigned correspondingly.

## BOOK 2

### FITA CONSTITUTION AND RULES

---

- 7.5.1.4 When shooting on **multiple faces** each competitor will shoot his arrows at his own center.
- With three (3) competitors per target, the competitor positioned on the left will shoot at the center bottom left, the competitor positioned in the middle at the top center and the competitor positioned on the right at the bottom right center.
  - With four (4) competitors per target, competitor A will shoot at the top left face, B at the top right face. Competitor C will shoot at the bottom left face and D at the bottom right face.
- 7.5.2 At **FITA Outdoor World Championships**:
- 7.5.2.1 In the **Qualification Round** the 2 or 3 competitors will shoot simultaneously on the same target. At the longer distances they will shoot ends of six arrows and the shorter distances they will shoot ends of three.
- 7.5.2.2 In the **Olympic Round Individual event**:
- *In the Elimination and Finals Rounds **the left/right position** of the competitor is determined by the match-play chart. During the first pairing the competitor on the top line of each pair will shoot on the left hand side of that match. The actual target assignment for the match is the choice of the organizer.*
  - In the **1/32 and 1/16 Elimination Rounds** there will be two competitors per target, in the **1/8 Elimination Round** each competitor will shoot on a separate target. They will proceed to the target to participate in the scoring and collection of the arrows.
  - In the **Finals Rounds** (individual matches, alternating shooting) each competitor will shoot on a separate target and will not proceed to the target to participate in the scoring and collection of the arrows. Each competitor shall have already appointed a competitor's agent who will observe the scores recorded and withdraw the arrows. The arrows will be returned to the competitor at the completion of every end after the second end.
  - In single match play **alternating shooting** the winner of a coin toss will decide the order of shooting of the first end. Thereafter the order of shooting shall alternate.
- 7.5.2.3 In the **Olympic Round Team event** (both teams shooting at the same time):
- *A team consists of three (3) or four (4) competitors.*
  - *All members of a team must have taken part in the Qualification Round.*
  - *The nomination of the members of the team must take place before the beginning of the first match of the Elimination Round.*
  - *The fourth competitor or a substituted competitor shall wait in a box behind the coaches' box. If the fourth competitor is a wheelchair competitor he may be waiting on the shooting line in front of the coaches' box.*
  - *A team may substitute a competitor at any time between ends.*
  - *In the Elimination and Finals Rounds **the left/right position** of the teams is determined by the match-play chart. During the first pairing the team on the top line of each pair will shoot on the left hand side of that match. The actual target assignment for the match is the choice of the organizer.*

- Both teams will start each end of their match with their three **archers behind the 1 meter line**. Only when the DOS starts the match and the time clock, the first archer may cross the 1 meter line.
- The three competitors on the team will shoot three **arrows** in an **order** of their own choosing.
- One competitor shall occupy the **shooting line**, while the other two competitors remain behind the one meter line. No more than one competitor at a time shall be in front of the one meter line.
- *Wheelchair competitors may stay on the shooting line all the time. They indicate that they have finished shooting by placing their bow on their knees. (see Appendix: Disabled Competitors)*
- Competitors may not remove their **arrows** from their quivers until they are in their shooting positions.
- *Violations of these rules shall be sanctioned as specified in 7.8 and in the 'Organizers Manual of the Outdoor Target Archery Championships'.*

7.5.2.4 In the Olympic Round Team event **Finals Rounds (alternating shooting)**:

- *Both teams will start each end of their match with their three competitors behind the 1 meter line.*
- *The winner of a coin toss will decide the order of shooting of the first end. The team with the lower score will start shooting the second and third end of the match. If teams have a tie the team which started the match will shoot first.*
- *When the first team has shot 3 arrows and the archer has returned behind the 1 meter line the clock of that team is stopped with the time remaining displayed.*
- *When the score of the last arrow is displayed on the scoreboard at the target the clock of the second team is started and the first archer of that team may cross the 1 meter line and start shooting.*
- *This is repeated until each team has shot 9 arrows or the time has expired.*

7.5.3 The Olympic Round at other Tournaments

see 7.5.2 but:

- in the **1/8 Elimination Round** the Organizer may assign one *or two* competitors to a target. They will proceed to the target to participate in the scoring and collection of the arrows.
- *In the 1/4 Finals Round there will be one competitor per target. At the discretion of the Organizers the matches may be shot simultaneously. In that case the competitors will proceed to the target to participate in the scoring and collection of the arrows and if there are not enough countdown clocks to time the matches individually the DOS will control the matches together.*
- In *all other Finals Rounds* (individual matches, alternating shooting) each competitor will shoot on a separate target and will not proceed to the target to participate in the scoring and collection of the arrows. Each competitor shall have already appointed an agent who will observe the scores recorded and

## BOOK 2

### FITA CONSTITUTION AND RULES

---

withdraw the arrows. The arrows will be returned to the competitor at the completion of every end after the second end.

#### 7.5.4 **Time Limits:**

7.5.4.1 Forty seconds shall be the time allowed for a competitor to shoot one arrow, when the competitors alternate shooting in the Olympic Round matches, in order to break ties or to shoot make-up arrows;

7.5.4.2 One minute shall be allowed for a team to shoot three (3) arrows, one per competitor, in the Olympic Team Round for the purpose of breaking ties.

7.5.4.3 Two minutes shall be the time allowed for a competitor to shoot an end of three (3) arrows;

7.5.4.4 Three minutes shall be the time allowed for an Olympic Round Team to shoot nine arrows;

7.5.4.5 Four minutes shall be the time allowed for a competitor to shoot an end of six arrows;

7.5.4.6 The time limit may be extended in exceptional circumstances. (see Article 7.7.1.11)

7.5.4.7 A visual warning signal shall be given thirty (30) seconds before the end of the time limit, except in the Finals Round of the Olympic Round when the competitors alternate shooting.

7.5.5 **Visual signals** are to be placed on both sides of the field and, if necessary, in the clear lane between Women's and Men's targets so that both right and left handed competitors shall be able to observe them. They are to be placed in front of the shooting line on each side of the field and in the clear lane at any distance shorter than 30 meters, but visible to all competitors on the shooting line.

7.5.6 When the shooting is controlled by Plates: two plates are essential in the clear lane in order that the same side of the plates (all yellow or black/yellow stripes) is displayed simultaneously to both men and women competitors. The BLACK and YELLOW striped side will be turned towards the competitors as a signal of warning that only thirty (30) seconds are left of the Time Limit. The YELLOW side of the plate will be turned toward the competitors at all other times.

7.5.7 When the shooting is controlled by Lights (except in the Finals Round of the Olympic Round):

RED The Director of Shooting will give two sound signals for the designated competitors (A, B, C or AB, CD, as applicable) to occupy the shooting line all together (Except Olympic Round Team Event).

GREEN On the lights changing color 20 seconds later (10 seconds in all match competitions), the Director of Shooting will give one sound signal for shooting to begin.

YELLOW This light will go on when only thirty (30) seconds are left.

RED This means the Time Limit (see Article 7.5.4) is up and two sound signals will be given to indicate that shooting is to stop, even if all arrows have not been shot. Any competitor still on the shooting line is to retire behind the waiting line. The designated competitors will move up and occupy the shooting line and wait for the Green light as above for the shooting to begin: the whole procedure will be repeated as above, and

- so on until all have shot. When six (6) arrows are shot in two ends of three arrows, the above will be repeated before scoring. When the Red light comes on after one end of three, six (or two ends of three arrows) or nine arrows (3x3 arrows in the Team Event) according to the distances or rounds being shot three sound signals will be given for the scoring to begin.
- 7.5.8 Whenever the shooting line is vacated by all competitors having finished the shooting of their arrows before the end of the Time Limit, the appropriate signal for change or scoring shall be given immediately.
- 7.5.9 Twenty (20) seconds will be allowed for the competitors to vacate and the next designated competitors to occupy the shooting line at the beginning of each end and will, as seen under Article 7.5.7 above, be indicated by two sound signals. No competitor will occupy the shooting line except on the appropriate signal given when lights are operated.
- 7.5.10 With single matchplay alternating shooting both archers will position themselves on the shooting line. At the end of the 10 second period one sound signal will start the 40 second shooting period for the first archer. As soon as one arrow is shot and the score is posted one sound signal will be given for the second archer to start his 40 second period to shoot one arrow. The archers will continue to alternate their shots until each archer has shot 3 arrows. The foregoing is mandatory in the Finals Rounds at FITA Championships.
- 7.5.11 If the **shooting is suspended** during an end for any reason, the Time Limit shall be adjusted.
- 7.5.11.1 Forty (40) seconds per arrow will be given, in the Olympic Round Individual event.
- 7.5.11.2 *In the Olympic Round Team event at World Championships the clock will be reset with the time remaining when the emergency stopped the shooting plus five (5) seconds. Shooting will resume from the shooting line.*
- 7.5.11.3 *In the Olympic Round Team event at other tournaments twenty (20) seconds per arrow will be given. Shooting will resume from the shooting line.*
- 7.5.12 The **order of shooting** may be **changed** temporarily for the purpose of changing a string or making other essential adjustments to equipment. If however, such attention to equipment should become essential while on the shooting line, the competitor may step back and at the same time call a Judge by using the flag or other device provided for the purpose. The Judges having verified the competitor was justified in leaving the line, will arrange with the Director of Shooting for this competitor to shoot the arrows left of that end before he gives the signal to move forward for scoring, an announcement to this effect being made over the loud-speaker equipment. The above applies except for the Eliminations and Finals Rounds of the Olympic Round as specified in 7.4.2.4.
- 7.5.13 Organizers may arrange for women and men to shoot separately at different times on the same targets.

## 7.6 SCORING (Outdoor Target Rounds)

## BOOK 2

### FITA CONSTITUTION AND RULES

---

- 7.6.1 There shall be **scorers** in sufficient numbers to ensure that there will be one for each target. These scorers can be competitors when there is more than one competitor per target. One **Scorer** shall be appointed for each target.
- 7.6.2 At distances of 90, 70 or 60 meters at FITA Championships and Games Tournaments, **scoring** shall take place after every second end of three arrows or each end of six arrows.
- 7.6.3 At distances of 50 and 30 meters, scoring shall take place after every end of three arrows.
- 7.6.4 In the **Olympic Elimination Round**, the value of the arrow shall be called by the competitor. If only one archer is shooting at a target the call shall be witnessed by a Judge.
- 7.6.5 In the **Olympic Elimination Round Team** event, scoring will be cumulative for the 9 arrows of each team, every competitor can move up to the target, one per team calling the points, witnessed by a Judge (see 7.6.17).
- 7.6.6 Scorers shall **enter the value** of each arrow in descending order on scorecards as called out by the competitor to whom the arrows belong. Other competitors on that target shall check the value of each arrow called out.
- 7.6.7 In the Olympic Finals Rounds, the value of the arrows will be determined by the scoring Judges in the order they are shot. These unofficial recorded values will be checked and changed if required by the Target Judge when the official final scoring takes place at the target. The competitor's agent may request a second (or third) opinion as to the value of an arrow.
- 7.6.8 Neither the **arrows** nor the face shall be **touched** until all the arrows on that target have been recorded.
- 7.6.9 If **more than three arrows** (or six as the case may be), belonging to the same competitor or nine in the case of a team, should be found in the target or on the ground in the shooting lanes, only the three lowest (or six or nine lowest, as the case may be) in value shall be scored. Competitors or teams found to repeat this may be disqualified.
- 7.6.10 An arrow shall be scored according to the **position of the shaft** in the target face. Should the shaft of an arrow touch two colors, or touch any dividing lines between two scoring zones, that arrow shall score the higher value of the zones affected.
- 7.6.11 Should a fragment of a target face be missing, including a dividing line or where two colors meet, or if the dividing line is displaced by an arrow, then an imaginary circular line shall be used for judging the value of any arrow that may hit such a part.
- 7.6.12 All **arrow holes** shall be suitably marked on each occasion when arrows are scored and drawn from the target.
- 7.6.13 Arrows embedded in the buttress and not showing on the face can only be scored by a Judge.
- 7.6.14 An arrow hitting:
- 7.6.14.1 The target and **rebouncing**, shall score according to its impact on the target provided that all arrow holes have been marked and an unmarked hole or mark can be identified;  
When a **rebound** occurs:

- With competitors shooting one at a time on each target, the competitor concerned will, after shooting his end of three or six arrows, remain on the shooting line with a flag raised above his head as a signal to the Judges;
- With more than one competitor shooting at a time on each target, all competitors will, when a rebound occurs, stop shooting but remain on the shooting line with a flag held above their heads.

When all competitors on the shooting line for that end have finished shooting their arrows or the time limit has expired, whichever is appropriate, the Director of Shooting will interrupt the shooting. The competitor with the rebound arrow will advance to the target together with a Judge, who will judge the point of impact, take down the value and mark the hole and later participate in scoring of that end. The rebound arrow is to be left behind the target until that end has been scored. When the field is again clear the Director of Shooting will give the signal for shooting to continue. When more than one competitor is shooting, the competitors shall complete their end of three or six arrows to be shot, before general shooting is resumed. No other competitor is to occupy the shooting line meanwhile.

- 7.6.14.2 The target and **hanging** from it, shall have the competitor or competitors on that target to stop shooting and signal with a flag. When the shooting of that end has been completed by the other competitors on the line, a Judge with the competitor shall note the value of the arrow, remove it, mark the hole and place the arrow behind the target. The remaining arrows shall be shot by the archer(s) on that target before the Director of Shooting orders general shooting to continue. The Judge concerned shall participate in the scoring of that end;
- 7.6.14.3 The target and **passing** completely **through** the buttress, provided all arrow holes have been marked and provided an unmarked hole can be identified, shall score according to the value of the hole in the target face;
- 7.6.14.4 An arrow found on the ground in shooting lane or behind the target, which has been claimed as a bouncer or pass through must in the opinion of the Judge(s) have in fact first hit the target. If more than one unmarked hole is located in the target after a bouncer or pass through has occurred, the value of the lowest scoring hole will be awarded to the competitor;
- 7.6.14.5 **Another arrow** in the **nock** and remaining embedded therein, shall score according to the value of the arrow struck;
- 7.6.14.6 **Another arrow**, and then hitting the target face after **deflection**, shall score as it lies in the target face;
- 7.6.14.7 **Another arrow**, and then **rebounding**, shall score the value of the struck arrow, provided the damaged arrow can be identified;
- 7.6.14.8 A target face other than a competitor's own target face, *shall be considered as part of that end and shall score as a miss.*
- 7.6.14.9 In the **Olympic Round** arrows rebounding, passing through the buttress or hanging from it shall not stop the competition.
- 7.6.15 The Director of Shooting will ensure that, after scoring, **no arrows are left in the targets** before any signal is given for shooting to continue. If this inadvertently happens, the shooting shall not be interrupted. A competitor may shoot that end with other arrows or make up the arrows lost after shooting over that distance has

## BOOK 2

### FITA CONSTITUTION AND RULES

---

been completed. In such circumstances, a Judge shall participate in the scoring after that end, making sure that the arrows which have remained in the target are checked back to the competitor's scorecard before any arrows are withdrawn from the target.

- 7.6.16 In the event of a competitor **leaving arrows**, e.g. on the ground in the target area, he may use others provided he informs a Judge before shooting.
- 7.6.17 In Target Archery, competitors may **delegate authority to score** and collect their arrows to their Team Captain or to another competitor on their own target, provided that they themselves do not move up to the target (e.g. competitors with disabilities).
- 7.6.18 **Scorecards** shall be signed by the scorer and the competitor, denoting that the competitor agrees with the value of each arrow. If the scorer is participating in the shooting, his scorecard shall be signed by some other competitor on the same target.
- 7.6.19 In the event of a **tie in score**, the results shall be determined in the following order:
- 7.6.19.1 For ties occurring in all Rounds, except for those ties as set forth below (7.6.19.2):
- Individuals and Teams:
    - Greatest number of scoring hits;
    - Greatest number of 10's;
    - Greatest number of X's (inner 10's);
    - After this competitors still tying shall be declared equal; but for ranking purposes, i.e. position in the match play charts of Elimination Rounds, a disk toss will decide the position of those declared equal.
- 7.6.19.2 For ties concerning the entrance to the Elimination Rounds, the progress from one stage of the competition to the next or for deciding the Medal placements *after matchplay competition there will be shoot-offs to break the ties (without considering the number of hits, 10's and X's)*:
- Individuals:
    - A single arrow shoot-off for score (maximum of three shoot-offs);
    - If there is still a tie *in* the third shoot-off, the arrow closest to the center will resolve the tie;
    - Successive single arrow nearest-to-the-center shoot-offs, until the tie is resolved.
  - Teams:
    - An End of three (3) arrows (one by each competitor) shoot-off for score (maximum of three shoot-offs);
    - If the score is still tied *in* the third shoot-off, the team with the closest-to-the-center arrow will win;
    - If still tied the second (or third) closest-to-the-center arrow will determine the winner;
    - If necessary there will be successive three (3) arrow (one arrow by each competitor) shoot-offs for score if necessary followed by closest-to-the-center evaluation until the tie is resolved;

- the time limit for a Team shoot-off shall be 1/3 of the applicable time limit.
- 7.6.19.3 Ties concerning the entrance to the Elimination Round will be broken on the distance shot last as soon as the results of the qualification round have been verified.
- 7.6.19.4 *Until official information about shoot-offs is given the competitors will have to remain on the competition field. A Competitors who is not present at an announced shoot-off will be declared the loser of that match.*
- 7.6.20 *The Ranking at World Championships will follow the above procedure (for details see Organizers Manual of the Outdoor Target Archery Championships, Appendix II).*
- 7.6.21 *The Ranking at other tournaments will follow the above procedure, however those competitors eliminated during the Olympic Round with scores tying the will be ranked equal and will be given the same position (ties (without considering the number of hits, 10's and X's).*
- 7.6.22 At the end of the Tournament the Organizing Committee must supply complete result lists to all participants: Competitors, Team Captains, Council Members, Congress Delegates who are present, Judges and the Director of Shooting.

## 7.7 SHOOTING CONTROL AND SAFETY (Outdoor Target Archery Rounds)

- 7.7.1 The Organizers shall appoint a **Director of Shooting** who, whenever possible, shall be a Judge. He shall not participate in the shooting and his duties shall include the control of the following:
  - 7.7.1.1 Instituting and enforcing any reasonable safety measures he considers necessary (see also 7.1.9);
  - 7.7.1.2 Controlling the shooting, regulating the timing of ends, and the order in which the competitors will occupy the shooting line;
  - 7.7.1.3 Exercising control over the use of the loudspeaker equipment, the activities of photographers, etc., so that competitors are not disturbed;
  - 7.7.1.4 Ensuring that spectators remain behind the barriers enclosing the shooting range. Assistants may be appointed as necessary at the discretion of the Organizers to assist the Director of Shooting in the execution of his duties;
  - 7.7.1.5 A series of *not less than five* sound signals shall be given for all shooting to cease. If shooting is suspended during an end for any reason, one sound signal will be the signal for shooting to continue;
  - 7.7.1.6 No competitor may **draw his bow**, with or without an arrow, and in the Olympic Round Team event, remove his arrow from his quiver except when standing on the shooting line. If an arrow is used, the competitor shall aim toward the targets but only after being satisfied that the range is clear both in front of and behind the targets. If a competitor, while drawing his bow with an arrow before the shooting starts or during breaks between distances, looses an arrow, intentionally or otherwise, such an arrow shall count as part of the next end of scoring arrows to be shot. The scorer shall make a note to this effect on the competitor's scorecard and enter

## BOOK 2

### FITA CONSTITUTION AND RULES

---

- the values of all hits for that end (3, 6 or 9 arrows as the case may be), but the highest scoring arrow will be forfeited. Such action must be initialled by a Judge and the competitor concerned;
- 7.7.1.7 While shooting is in progress, only those competitors whose turn it is to shoot may be **on the shooting line**. All other competitors, with their equipment, shall remain behind the waiting line. After a competitor has shot his arrows, he shall immediately retire behind the waiting line, *he may leave his spotting scope on the shooting line between ends providing it does not create an obstacle for any other competitor*.
- 7.7.1.8 In the Olympic Round Team event only one competitor at a time may be on the line to shoot, while the other two competitors remain one meter behind waiting for him to retire behind the one meter line (see 7.5.2.3 wheelchair archers);
- 7.7.1.9 No competitor may **touch the equipment** of another without the latter's consent. Serious cases may lead to sanctions;
- 7.7.1.10 **No smoking** is allowed in and in front of the competitors' area.
- 7.7.1.11 A competitor **arriving after shooting has started** shall forfeit the number of arrows already shot, unless the Director of Shooting is satisfied that he was delayed by circumstances beyond his control, in which case he may be allowed to make up the arrows lost after the distance then being shot is completed, but no more than 12 arrows. There is no concession for a competitor to make up arrows in the Elimination and Finals Rounds;
- 7.7.1.12 The Director of Shooting, in consultation with the Judges, has authority, to **extend the time limit** in exceptional circumstances. Any such special ruling introduced must be announced to the competitors before having effect. In such cases, final results list shall reflect the special ruling giving reason. When visual time controls are in use the thirty seconds remain unchanged;
- 7.7.1.13 When drawing back the string of his bow a competitor shall not use any technique which, in the opinion of the Judges, could allow the arrow, if accidentally released, fly beyond a safety zone or **safety** arrangements (overshoot area, net, wall etc.). If a competitor persists in using such a technique, he will, in the interest of safety, be immediately asked by the Chairman of Judges and/or the Director of Shooting to stop shooting and leave the field.

## 7.8 PENALTIES

### 7.8.1 Eligibility, disqualification,

- 7.8.1.1 *Competitors are not eligible to compete in FITA events if they do not meet the requirements as laid down in Chapter 2 of the FITA Constitution and Rules.*
- 7.8.1.2 *A competitor found guilty of breaking any of the above rules may be eliminated from the competition and will lose any position he may have gained.*

- 7.8.1.3 *A competitor found competing in a class as laid down in Chapter 4.2 the requirements of which he does not fulfill will be eliminated from the competition and lose any position he may have gained.*
- 7.8.1.4 *A competitor found guilty of Doping according to the rules laid down in Appendix 4 to Book 1 of the FITA Constitution and Rules will be subject to the following sanctions (11.10; 11.11):*
- *Regardless of a sanction being imposed by the Member Association concerned, FITA will annul the results achieved in the competition and any prizes or medals awarded should be returned to the FITA office due to the unfair advantage gained over the other competitors.*
  - *If the competitor has shot in a team event the result of the team will be annulled.*
  - *In addition to this the sanctions of Article 11 and 12 of Appendix 4 apply.*
  - *A competitor suspended for a doping offense may not participate in any FITA event organized by FITA or a member of FITA up to the end of his suspension.*
- 7.8.1.5 *Any competitor found to be using equipment contravening FITA Rules may have his scores disqualified (7.3).*
- 7.8.1.6 *A competitor or a team repeatedly found shooting more arrows per end than allowed may have their scores disqualified (7.6.9).*
- 7.8.1.7 *A competitor proved to have transgressed any rules and regulations knowingly may be ruled not to be eligible to participate and be eliminated from the competition and will lose any position he may have gained (7.9.2.12).*
- 7.8.1.8 *When drawing back the string of his bow a competitor shall not use any technique which, in the opinion of the Judges, could allow the arrow, if accidentally released, fly beyond a safety zone or **safety** arrangements (overshoot area, net, wall etc.). If a competitor persists in using such a technique, he will, in the interest of safety, be immediately asked by the Chairman of Judges and/or the Director of Shooting to stop shooting and leave the field. (7.7.1.13)*
- 7.8.2 *Losing the score of arrows***
- 7.8.2.1 *A competitor arriving after shooting has started shall forfeit the number of arrows already shot, unless the Director of Shooting is satisfied that he was delayed by circumstances beyond his control. (7.7.1.11)*
- 7.8.2.2 *A competitor who is unable to repair his equipment in case of an equipment failure within 15 minutes will only be allowed to shoot (make up) the number of arrows that can be shot within 15 minutes following the standard order of shooting for make-up arrows, he will lose the number of any other arrows he has not been able to shoot. (7.4.2.3)*
- 7.8.2.3 *An arrow shot before or after the allotted time or out of sequence will cause the archer to lose the highest scoring arrow of that end. An arrow shot before or after the allotted time or out of sequence that can be clearly identified by the Judge(s) (assigned to spot the arrows) will cause the archer to lose the value of that arrow.*
- 7.8.2.4 *An arrow shot on the competition field after the practice session, after drawing the last practice arrows, will be considered as belonging to the first scoring end. The competitor will lose the highest scoring arrow.*
-

## BOOK 2

### FITA CONSTITUTION AND RULES

---

- 7.8.2.5 *In the Olympic Round Team event, if any of the three competitors as a Team shoots an arrow before or after the relevant signals, to start or finish the time period, then the highest scoring arrow of that Team shall be forfeited. (7.4.2.6)*
- 7.8.2.6 *If more than three arrows (or six as the case may be), belonging to the same competitor or nine in the case of a team event, should be found in the target or on the ground in the shooting lanes, only the three lowest (or six or nine lowest, as the case may be) in value shall be scored. (7.6.9)*
- 7.8.2.7 *In the Olympic Round Team event, if one team member shoots more than three arrows in one end only the eight lowest arrows of that end shall count.*
- 7.8.2.8 *An arrow hitting a target face other than the competitor's own target face shall be considered as part of that end and shall score as a miss.*
- 7.8.3 Team Round Time penalties** *(for details of procedure see the FITA Organizers Manual of the Target Archery Championships):*
- 7.8.3.1 *If a member of a team crosses the 1 meter line too soon the judge will raise the yellow card or will switch on a yellow light in front of the shooting line to indicate that the competitor will have to return behind the 1 meter line to start over again or be replaced by another competitor with arrows to shoot.*
- 7.8.3.2 *If the team does not respect the yellow card (or light) and the competitor shoots his arrow, the team will lose the highest scoring arrow for that end or lose the value of that arrow if it can be clearly identified by the Judge(s) (assigned to spot the arrows).*
- 7.8.3.3 *The same procedure applies if a team member removes an arrow from the quiver before standing on the shooting line.*
- 7.8.4 Warnings**  
*Competitors who have been warned repeatedly and who continue breaking the following FITA rules or who do not follow decisions and directives (which can be appealed) of the assigned judges will be treated according to 7.8.1.7 (7.9.2.12).*
- 7.8.4.1 *No smoking is allowed in and in front of the competitors' area. (7.7.1.10)*
- 7.8.4.2 *No competitor may touch the equipment of another without the latter's consent. (7.7.1.9)*
- 7.8.4.3 *No competitor may draw his bow, with or without an arrow, except when standing on the shooting line. (7.7.1.6)*
- 7.8.4.5 *While shooting is in progress, only those competitors whose turn it is to shoot may be on the shooting line. (7.7.1.7)*
- 7.8.4.6 *A competitor may not raise his bow arm until the signal starting the time limit is given.*
- 7.8.4.7 *Neither the arrows nor the target face shall be touched until all the arrows on that target have been recorded (7.6.8)*

## 7.9 JUDGING

- 7.9.1 At least **one Judge for every ten targets** in Target shall be appointed except for Tournaments shot according to Article 3.11.1. *However there shall always be a minimum of three judges.*

- 7.9.2 The **duties of the Judges** shall be:
- 7.9.2.1 To check all distances and the correct layout of the range; the dimensions of target faces and buttresses; that the faces are set at the correct height from the ground or floor; that all buttresses are set at a uniform angle in Target Archery.
  - 7.9.2.2 To check all the necessary venue equipment;
  - 7.9.2.3 To check all competitors' equipment before the Tournament (time to be stated on the tournament program) and at any time thereafter during the Tournament;
  - 7.9.2.4 To control the conduct of the shooting;
  - 7.9.2.5 To control the conduct of the scoring;
  - 7.9.2.6 To verify the scoring in the Elimination and Finals Rounds;
  - 7.9.2.7 To consult with the Director of Shooting on questions which arise regarding the shooting;
  - 7.9.2.8 To handle any disputes and appeals which may arise;
  - 7.9.2.9 In liaison with the Director of Shooting, to interrupt the shooting if necessary, because of weather conditions, power failures, a serious accident, or such occurrences, but to ensure if at all possible, that each day's program is completed on that day;
  - 7.9.2.10 To consider relevant complaints or requests from Team Captains and where applicable to take suitable action. Collective decisions shall be made by a simple majority of votes. In case of a tie, the Chairman shall have a tie breaking vote;
  - 7.9.2.11 Questions concerning the conduct of the shooting or the conduct of a competitor shall be lodged with the Judges without any undue delay and in any event must be lodged before the prize giving. The ruling of the Judges or Jury of Appeal, as applicable, shall be final.
  - 7.9.2.12 Competitors' and officials are to conform with the FITA Constitution and Rules as well as with decisions and directives the Judges may find necessary to make. A competitor proved to have transgressed any rules and regulations knowingly may be ruled by the Judges not to be eligible to participate and be eliminated and will lose any position he may have gained.

## 7.10 QUESTIONS, APPEALS AND DISPUTES

- 7.10.1 In the disciplines of Outdoor Target Archery, any competitor on the target shall refer any questions about the **value of an arrow** in the target to a Judge before any arrows are drawn. Should any competitor on the target be dissatisfied with the Judge's ruling, the **majority decision** of that Judge himself and no more than two *other* available Judges shall be **final**. A mistake on the scorecard discovered before the arrows are drawn may be corrected, but the correction must be witnessed and initialed by one of the Judges before the arrows are drawn. Any other disputes concerning entries on a scorecard shall be referred to a Judge.
- 7.10.2 Should a target face become unreasonably worn or otherwise disfigured or should there be any other complaint about **range equipment**, a competitor or his Team Captain may appeal to the Judges to have the defective item replaced or remedied.

## **BOOK 2**

### **FITA CONSTITUTION AND RULES**

---

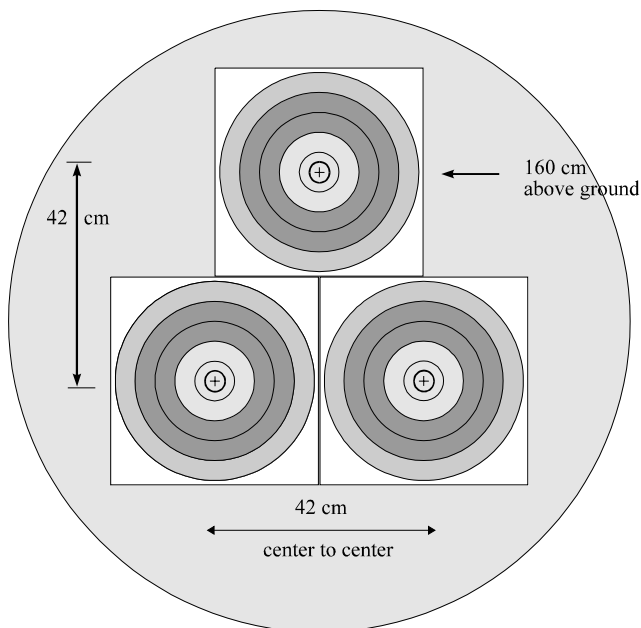
- 7.10.3 Questions concerning the **conduct of the shooting** or the **conduct of a competitor** shall be lodged with the Judges before the next stage of the competition.
- 7.10.4 Questions regarding daily **published results** shall be lodged with the Judges without any undue delay, and in any event must be lodged in time to allow corrections to be made before the prize giving.
- 7.10.5 In the event of a competitor not being satisfied with a ruling given by the Judges, he may, except as provided for in Article 7.9.1 above, **appeal** through his Team Captain to the Jury of Appeal, in writing, before the beginning of the next stage of the competition (see 3.12). Trophies or prizes which may be affected by a dispute shall not be awarded until the Jury ruling has been given.

**APPENDIX 1 BOOK 2**

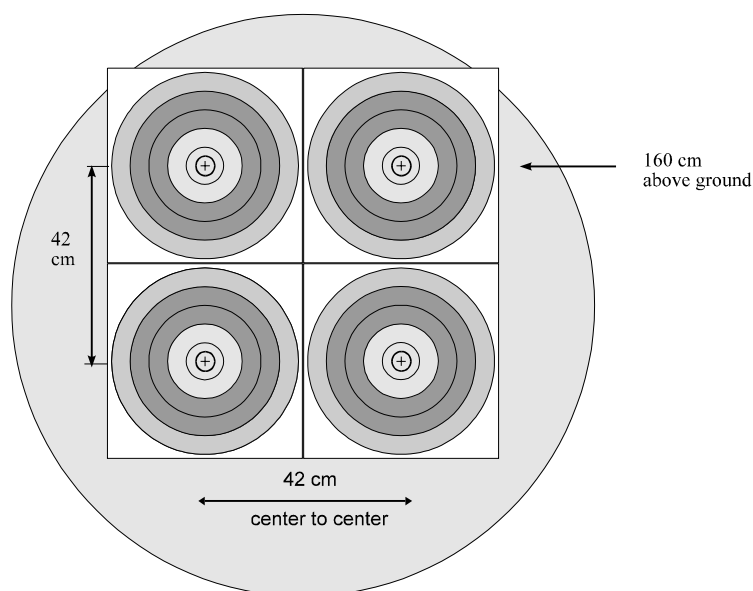
**VENUE EQUIPMENT - COMPETITORS EQUIPMENT**

**1. OUTDOOR MULTIPLE FACES**

Article 7.1.1.4 and Article 7.2.1.1



80 cm multiple faces, triangular symmetrical arrangement



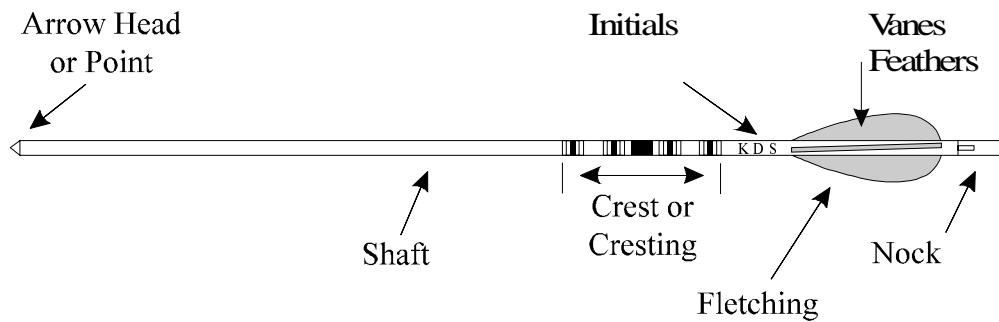
80 cm multiple faces rectangular arrangement

# BOOK 2

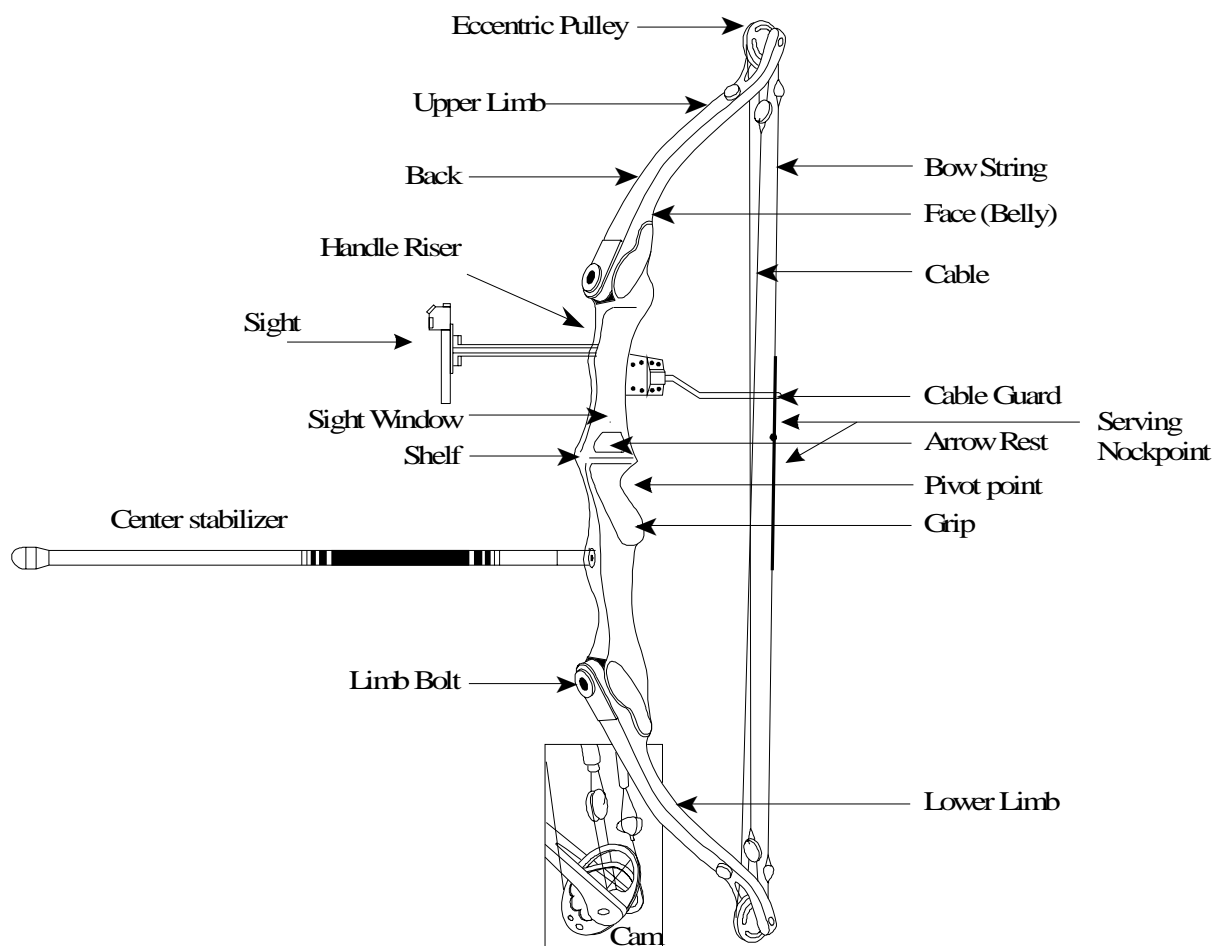
## FITA CONSTITUTION AND RULES

---

### 2. ARROW Article 7.3.1.7

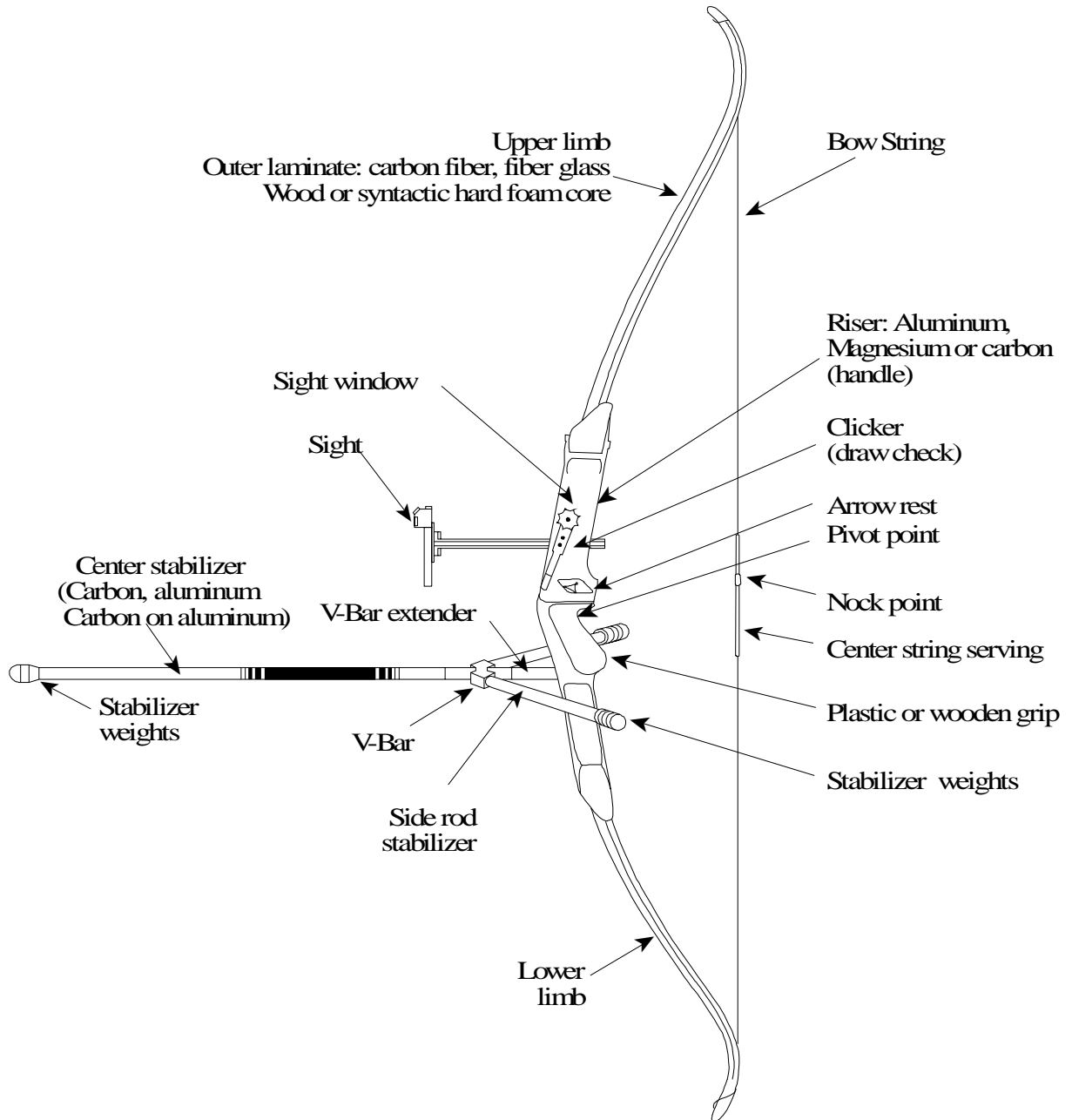


### 3. COMPOUND BOW Article 7.3.3



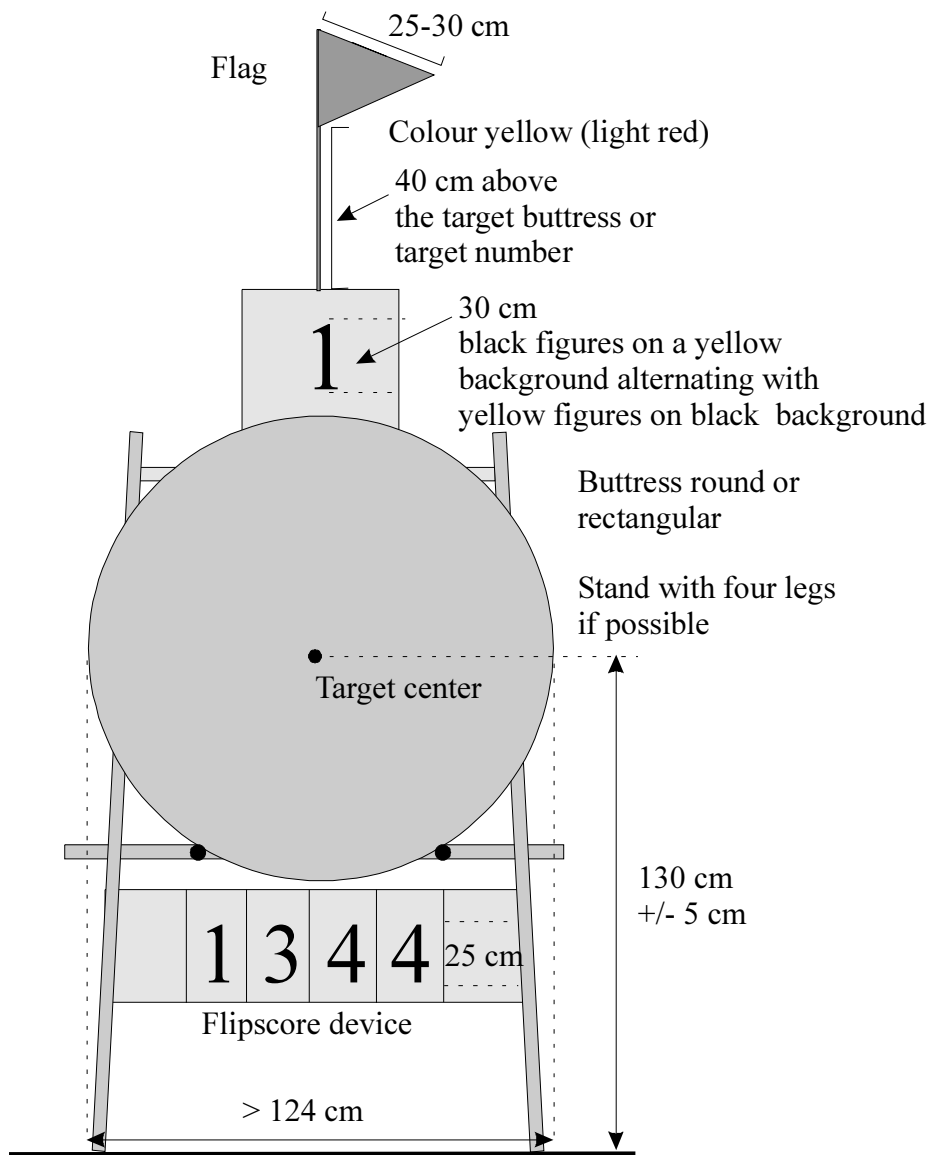
**4. RECURVE BOW**

Article 7.3.1



**5. OUTDOOR TARGET**

Article 7.1.4



**6. MODEL SCORECARDS  
OUTDOOR OLYMPIC ROUND  
Individuals**

| 1/32nd ELIMINATION |   |            |   |           |   |                  |       |
|--------------------|---|------------|---|-----------|---|------------------|-------|
| 1                  | 2 | 3          | 4 | 5         | 6 | End              | Total |
|                    |   |            |   |           |   |                  |       |
|                    |   |            |   |           |   |                  |       |
|                    |   |            |   |           |   |                  |       |
| <b>Hit</b>         |   | <b>10s</b> |   | <b>Xs</b> |   | <b>Shoot-off</b> |       |

| 1/16 ELIMINATIONS |   |            |   |           |   |                  |       |
|-------------------|---|------------|---|-----------|---|------------------|-------|
| 1                 | 2 | 3          | 4 | 5         | 6 | End              | Total |
|                   |   |            |   |           |   |                  |       |
|                   |   |            |   |           |   |                  |       |
|                   |   |            |   |           |   |                  |       |
| <b>Hit</b>        |   | <b>10s</b> |   | <b>Xs</b> |   | <b>Shoot-off</b> |       |

Archer's Signature: \_\_\_\_\_

Archer's Signature: \_\_\_\_\_

Scorer's Signature: \_\_\_\_\_

Scorer's signature: \_\_\_\_\_

Archer: \_\_\_\_\_

Registration Number: \_\_\_\_\_

| ¼ FINAL     |            |           |              |       |
|-------------|------------|-----------|--------------|-------|
| 1           | 2          | 3         | End          | Total |
|             |            |           |              |       |
|             |            |           |              |       |
|             |            |           |              |       |
| <b>Hits</b> | <b>10s</b> | <b>Xs</b> | <b>Shoot</b> |       |
|             |            |           | <b>-off</b>  |       |

| GOLD /BRONZE |            |           |              |       |
|--------------|------------|-----------|--------------|-------|
| 1            | 2          | 3         | End          | Total |
|              |            |           |              |       |
|              |            |           |              |       |
|              |            |           |              |       |
| <b>Hits</b>  | <b>10s</b> | <b>Xs</b> | <b>Shoot</b> |       |
|              |            |           | <b>-off</b>  |       |

Archer's Signature: \_\_\_\_\_

Archer's Signature: \_\_\_\_\_

Scorer's Signature: \_\_\_\_\_

Scorer's signature: \_\_\_\_\_

# BOOK 2

## FITA CONSTITUTION AND RULES

### MODEL SCORECARDS - OUTDOOR OLYMPIC ROUND - Teams

| 1/8 ELIMINATION |            |           |              |       |
|-----------------|------------|-----------|--------------|-------|
| 1               | 2          | 3         | End          | Total |
|                 |            |           |              |       |
|                 |            |           |              |       |
|                 |            |           |              |       |
|                 |            |           |              |       |
|                 |            |           |              |       |
|                 |            |           |              |       |
|                 |            |           |              |       |
|                 |            |           |              |       |
| <b>Hits</b>     | <b>10s</b> | <b>Xs</b> | <b>Shoot</b> |       |
|                 |            |           | <b>-off</b>  |       |

| 1/4 FINAL   |            |           |              |       |
|-------------|------------|-----------|--------------|-------|
| 1           | 2          | 3         | End          | Total |
|             |            |           |              |       |
|             |            |           |              |       |
|             |            |           |              |       |
|             |            |           |              |       |
|             |            |           |              |       |
|             |            |           |              |       |
|             |            |           |              |       |
|             |            |           |              |       |
|             |            |           |              |       |
| <b>Hits</b> | <b>10s</b> | <b>Xs</b> | <b>Shoot</b> |       |
|             |            |           | <b>-off</b>  |       |

Archers' Signature: \_\_\_\_\_

Archers' Signature: \_\_\_\_\_

Scorer's Signature: \_\_\_\_\_

Scorer's signature: \_\_\_\_\_

**Team:** \_\_\_\_\_

| SEMI-FINAL  |            |           |              |       |
|-------------|------------|-----------|--------------|-------|
| 1           | 2          | 3         | End          | Total |
|             |            |           |              |       |
|             |            |           |              |       |
|             |            |           |              |       |
|             |            |           |              |       |
|             |            |           |              |       |
|             |            |           |              |       |
|             |            |           |              |       |
|             |            |           |              |       |
|             |            |           |              |       |
| <b>Hits</b> | <b>10s</b> | <b>Xs</b> | <b>Shoot</b> |       |
|             |            |           | <b>-off</b>  |       |

Total

| GOLD/BRONZE |            |           |              |       |
|-------------|------------|-----------|--------------|-------|
| 1           | 2          | 3         | End          | Total |
|             |            |           |              |       |
|             |            |           |              |       |
|             |            |           |              |       |
|             |            |           |              |       |
|             |            |           |              |       |
|             |            |           |              |       |
|             |            |           |              |       |
|             |            |           |              |       |
|             |            |           |              |       |
| <b>Hits</b> | <b>10s</b> | <b>Xs</b> | <b>Shoot</b> |       |
|             |            |           | <b>-off</b>  |       |

Total

Archers' Signature: \_\_\_\_\_

Archers' Signature: \_\_\_\_\_

Scorer's Signature: \_\_\_\_\_

Scorer's signature: \_\_\_\_\_